

PPC-154T

Panel PC with 15" Color TFT LCD and Intel® Pentium® 4 Processor



Features

- 15" TFT XGA LCD
- Intel® Pentium® 4 CPU up to 3.06 GHz
- System memory up to 2 GB DDR SDRAM
- Built-in FDD/CD-ROM drive
- Built-in PCMCIA Type II x 2
- One PCI expansion slot
- 10/100Base-T Ethernet (Gigabit optional)
- Two IEEE 1394 ports
- Optional 6-in-1 card reader (MS, SD, SM, MC and CF type I/II sockets)
- Resistive, capacitive, SAW and infrared touchscreen are available

Introduction

The PPC-154T is an Intel Pentium 4 based Panel PC with 15" color TFT LCD (resolution up to 1024 x 768). It features multimedia devices, various connectors, and can be installed in virtually any application. In addition, its user-friendly interface makes it a great host for information appliances.

Specifications

- **CPU** Supports Socket 478 based Pentium 4 CPU up to 3.06 GHz
- **Disk Drive Housing** Room for 1 x 2.5" HDD
- **Dimensions (W x H x D)** 420 x 323.3 x 130.5 mm (16.54" x 12.72" x 5.12")
- **Weight** 7 kg (15.4 lbs)
- **Front Panel Protection** IP65/NEMA 4 compliant (not for SAW model)
- **HDD** IDE HDD interface (2.5" HDD bay)
- **CD-ROM Drive** Compact 24X or above
- **DVD-ROM Drive** Optional 6X or above
- **Combo Drive** Optional DVD/CD-RW 8D/24W/24E/24R or above
- **Memory** Supports up to 2 GB DDR SDRAM (184-pin)
- **FDD** Supports 720 KB / 1.44 MB FDD
- **Network (LAN)** 10/100Base-T Ethernet interface (Gigabit optional)
- **I/O Ports**
 - 2 x serial ports: 1 x RS-232, 1 x RS-232/422/485
 - 1 x parallel port, 4 x USB 2.0 ports
 - 2 x PCMCIA Type II
 - 1 x PS/2 mouse and keyboard interface
 - Mic-in, Line-in, Line-out
 - 2 x IEEE 1394 ports
 - 6-in-1 card reader: supports CompactFlash, Micro Drive, Smart Media, Secure Digital, Memory Stick & Multimedia Card.
 - S-Video port
- **Bus Expansion** 1 x PCI expansion slot, 1 x Mini PCI card

Environmental Specifications

- **Operating Temperature** 0 ~ 45° C (32 ~ 113° F)
- **Relative Humidity** 10 ~ 95% @ 40° C, non-condensing
- **Shock** 10 G peak acceleration (11 msec. duration)
- **EMC** BSMI, VCCI, CE, FCC Class B, CCC
- **Safety** CB, CE, UL

Power Supply

- **Output Rating** 180 W (max.)
- **Input Voltage** 100-240 V_{AC} @ 50 ~ 60 Hz
- **Output Voltage** +3.3 V @16.8 A, +5 V@12 A, +12 V@10 A, -12 V@0.8 A,+5 VSB@2 A

LCD Display

- **Display Type** Color TFT LCD
- **Size (Diagonal)** 15"
- **Max. Resolution** 1024 x 768
- **Max. Colors or Grayscales** 262 K
- **Pixel Pitch (mm)** 0.297 x 0.297
- **Luminance (cd/m²)** 350
- **Contrast Ratio** 400 : 1
- **Viewing Angle** 60° (left), 60° (right), 40° (up), 60° (down)
- **Operating Temperature** 0 ~ 50° C
- **VR Controls** Brightness
- **Simultaneous Mode** Yes
- **LCD MTBF** 50,000 hrs

Touchscreen (Optional)

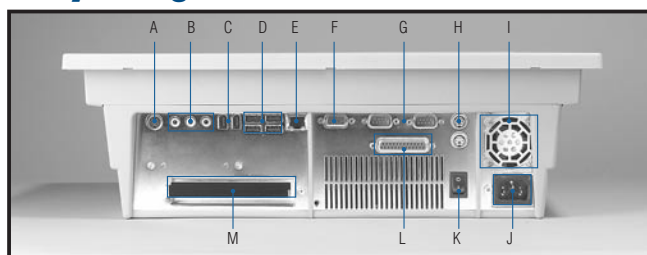
Types	Analog Resistive	Capacitive	Surface Acoustic Wave	Infrared
Resolution	Continuous	1024 x 1024	4096 x 4096	4096 x 4096
Light Transmission	80%	91.5%	91%	91%
Controller	USB Interface	USB Interface	USB Interface	USB Interface
Power Consumption	+5 V @ 200 mA	+5 V @ 100 mA	+5 V @ 150 mA	+5 V @ 150 mA
Software Driver	Supports both DOS and Windows			
Durability (Touches lifetime)	35 million	225 million	50 million	100,000 hrs

Ordering Information

Part No.	Description
PPC-154T-BAREE	Panel PC with 15" color TFT LCD display (resolution 1024 x 768)
PPC-154T-BARE-TE	PPC-154T with resistive touchscreen
PPC-154T-BARE-CE	PPC-154T with capacitive touchscreen
PPC-154T-BARE-SE	PPC-154T with SAW touchscreen
PPC-120 STAND	Stand kit for PPC-154/153/150 and PPC-123/120 series
PPC-154 SWINARM	Swingarm kit for PPC-154 series
PPC-120 WL-MT	Wall mount kit for PPC-154/153/150 and PPC-123/120 series
PPC-ARM-A03	VEESA standard ARM for PPC-123/153/154 series series

- * Intel Pentium 4 CPU, DDR SDRAM and 2.5" HDD are available as optional items.
- * FDD, CD-ROM and PCMCIA are removable as OEM items
- * Infrared touchscreen with Sunlight readable panel could be ordered via OEM process; both items can be ordered separately

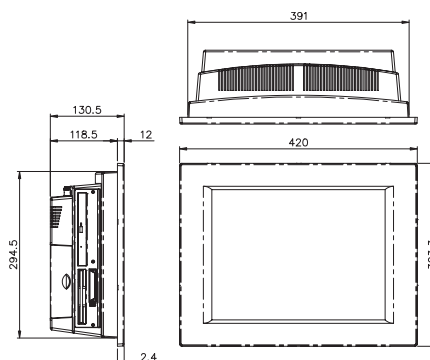
Fully Integrated I/O



- | | |
|---|--------------------------|
| A. S-Video | H. PS/2 mouse & keyboard |
| B. Line-in/Line-out/Mic-in | I. ATX Power Supply |
| C. IEEE 1394 x 2 | J. AC inlet |
| D. USB 2.0 x 4 | K. Power Switch |
| E. 10/100Base-T Ethernet (Gigabit Optional) | L. Parallel port |
| F. VGA port | M. PCI slot |
| G. Com port x 2 | |

Dimensions

Unit: mm



Feature Details

Protection

To meet the requirements of a public environment, the front panel of PPC-154T complies with the IP65/NEMA 4 protection standard. Furthermore, the watchdog timer and power management features make the system secure and stable. The onboard hardware monitoring feature provides automatic protection function, which prevents the CPU from becoming overheated.

Networking

Two serial ports and a 10/100Base-T Ethernet port (Gigabit optional) gives the PPC-154T advanced networking capabilities, and provide a great solution for versatile applications.

Expansion

To extend functionality, the PPC-154T is designed with one expansion slot for PCI cards, four USB 2.0 (Universal Serial Bus) ports, one S-Video port, a 6-in-1 cardreader interface and one PCMCIA card bus (Type II x 2). With these expansion capabilities, the PPC-154T not only functions as a HMI, but also as a computing center to build your applications on.

Easy Maintenance

Maintaining and replacing the LCD and touchscreen are made easier through the PPC-154T's modular design. In order to replace a defective LCD or touchscreen, one merely needs to remove the front cover and LCD bracket instead of disassembling the whole system.

Touchscreen Options

Customers can choose from three optional types of standardized touchscreens: resistive, capacitive and SAW (Surface Acoustic Wave). These options make the PPC-154T a more user-friendly interface for different environments.